

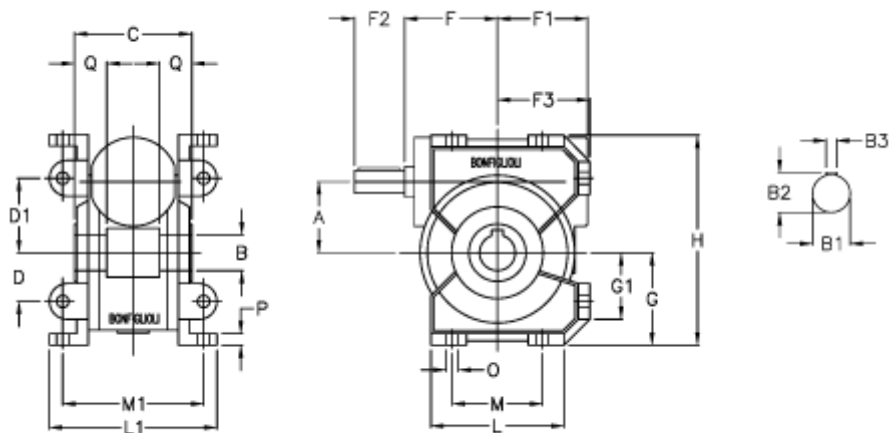
Data Sheet



Article number: 3901044060000

Description: Worm gear with solid input shaft
VF 44U-60-HS

Measures



| | | |
|-----------|----------------------------|-----------|
| a = 44.6 | Description = VF 44U-xx-HS | L = 80 |
| B = 18 | F = 54 | L1 = 100 |
| B1 = 11 | F1 = 54 | m = 52 |
| B2 = 12.5 | F2 = 30 | M1 = 81.0 |
| B3 = 4 | F3 = 55.0 | O = 8.5 |
| C = 64 | g = 55.0 | P = 8 |
| D = 29 | G1 = 40.0 | Q = 24.5 |
| D1 = 46 | H = 127.0 | |